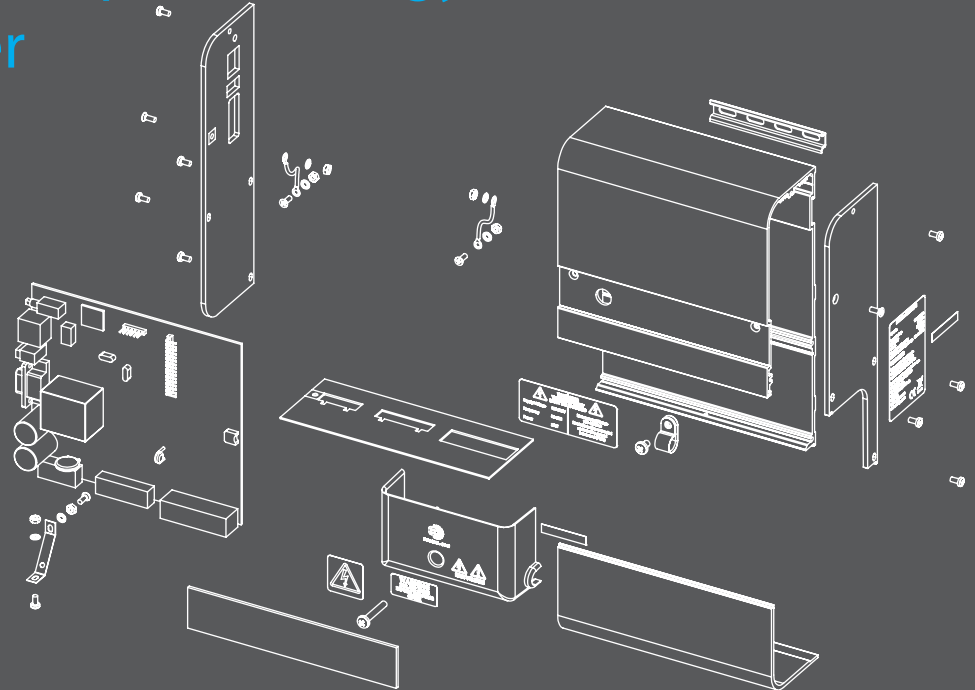




Eniscope 4 GPRS

Multi-channel 3 phase energy data recorder



Description:

Eniscope 4 GPRS is a multi-channel, three phase energy meter and sensing system combined with a processing facility designed to gather, summaries, store and transmit energy related data to cloud based servers via an internal GPRS module for presentation and analysis.

The Eniscope 4 energy metering system combines 4 three-phase metering points to measure all the required electrical parameters to allow the user to monitor energy usage in real time thereby helping to identify waste and eliminate costs.

The compact, plug and play system can be easily installed by an electrician, instantly providing real-time data on energy consumption patterns by individual piece of equipment, circuit, building or property portfolio.

Eniscope 4 GPRS has been engineered to allow continuous, remote improvements and upgrades via the Internet, making this the world's most durable and future proof solution to energy monitoring and efficiency.



Technical Data:

Supply voltage:	100-230V AC Nominal
Power requirements:	Less than 20W
Connectors:	External easy fit plug-in sockets. CT's via RJ12plug and play connectors.
Operating temperature:	0 – 40 degrees centigrade.
Altitude:	Maximum 2000M above sea level.
Enclosure:	Bespoke aluminium powder coated extrusion suitable for DIN rail mounting with acrylic faceplate.
Display technology:	Multi functional display via Analytics cloud based server.
LED's	On board LED display showing network connectivity.
Dimensions in mm:	L 156 x H 200 x D 60.
Shipping Weight:	1.3Kg
Storage & Transport:	Storage temperature min. -25°C, max. 60°C Relative humidity min. 10%, max. 95%, non condensing.
MTBF:	Predicted survival rate of 89.5% after 10 years.
Operational Relative Humidity:	Min 10% - max 90%, no condensing.
IP Rating:	IP20.
Environmental:	Complies with RoHS and WEEE.



Power measurement

Nominal full scale voltage:	346V line to neutral, 600V line to line.
Withstand voltage	1000V AC line to neutral, line to line.
Input impedance:	2M Ω
Frequency:	50/60Hz
Pick up voltage:	0V
Voltage accuracy:	Better than 1%
CT inputs (per channel)	333mV, at rated CT current.
Metering range:	30 amp – 500 amp as standard, higher currents available on request.
Withstand current:	6 times nominal CT current.
Pick up current:	0 amps
Accuracy:	Better than 1%
Warranty:	BEST guarantees to the purchaser that this product is free of defects in material and workmanship for twelve months, commencing from the date of purchase. Eniscope 4 GPRS is warranted only in normal use. It does not cover failures caused by improper installation, abuse, misuse, modification or alteration of electrical circuitry or physical construction and events beyond our control.
GPRS module:	Industry standard GPRS module (FCC ID: VDV091242009007) capable of operating on most International GSM Networks.
EMC directive:	Eniscope 4 conforms to the requirements of the standards in respect of the European EMC directive, EN61326-1:2013. Electrical equipment for measurement, control and laboratory use.
Safety requirements:	Eniscope 4 GPRS conforms to the standards in respect of the low voltage directive, 2006/95/EC. IEC61010-1, 3rd Edition, EN61010-1, 3rd Edition Electrical equipment for measurement, control and laboratory use.
Radio Module	FCC approved.